



VERRO SERIES: VNC-6

Noodle Cooker

Project: _____ Item: _____



VNC-6

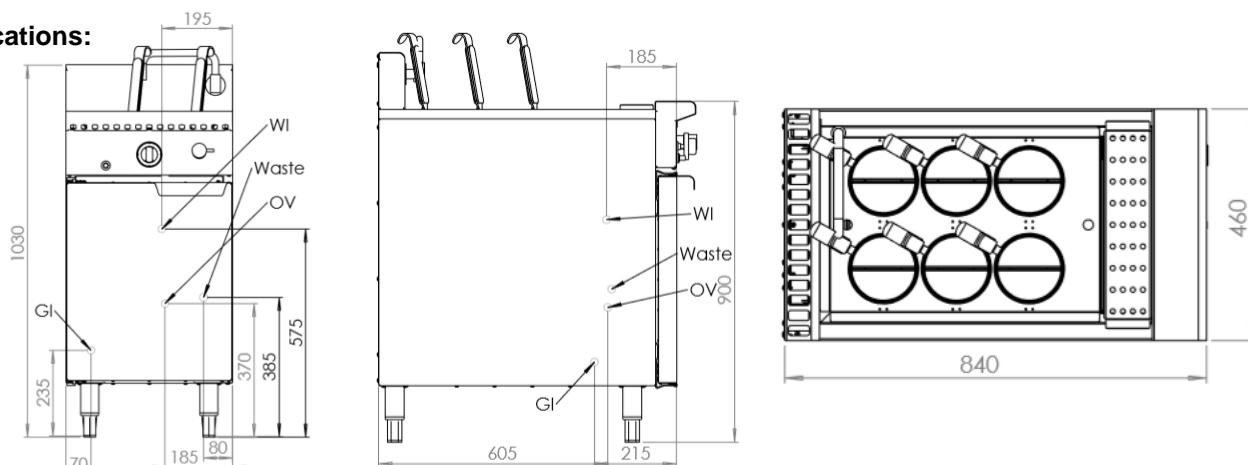
Standard Features:

- AISI 304 grade stainless steel
- Heavy duty complete stainless-steel cabinet frame
- Baskets provided
- 2mm thick AISI 316 marine grade tank
- Self-closing basket insert mechanism to increase efficiency
- Inbuilt water overflow helps remove water impurities
- Australian made heavy duty tapware
- Multi-setting gas valve as standard allowing for greater regulation of flame setting
- Piezo ignition and flame failure device are fitted as standard
- Easy access to all components for servicing and adjustment
- 21 Litre water capacity
- 24 Month warranty

Options:

- Castors
- Plinth Mounted
- Natural or LP gas

Specifications:



MODEL	LENGTH (mm)	DEPTH (mm)	HEIGHT (mm)	GAS CONSUMPTION (Mj/h)	
				NG	LPG
VNC-6	460	840	1030	58	50

Connections:

GAS (GI) (BSP)	WATER (WI)	WASTE (W) (HOSE & BSP)	SUPPLY PRESSURE (kPa)	
			NG	LPG
¾" (M)	½" (Copper)	D1= 1" D2=1" (M)	1.0	2.6

- Regulator is included in the unit
- **Must** be installed by an authorised installer

Due to ongoing Product Development, Product Improvement and Research, B+S Commercial Kitchens reserves the right to alter specification without notice.



B+S Commercial Kitchens
 57 Plateau Road Reservoir VIC 3073 Australia | +61 3 9469 4754
 info@bscommercialkitchens.com | www.bscommercialkitchens.com

