

## CR9D

### 900mm Six Burner Gas Range Static Oven



CR9D

- 900mm wide
- 6 open burners
- 22MJ open burner rating
- Flame failure standard on open burners
- Optional pilot and flame failure on open burners
- Cast iron burners and vitreous enamel potstands
- High crown static oven
- Capacity for one 2/1 GN or two 1/1 GN pans on oven rack
- Manual pilot ignition
- French door system
- Vitreous enameled oven liner
- Adjustable front feet and rear rollers
- Stainless steel finish
- Fully modular

#### Also Available



CR9A

CR9B

CR9C

#### OVERALL CONSTRUCTION

##### Cooktop

- Cast iron open burner heads with vitreous enamelled cast iron caps
- Vitreous enamelled potstands
- Vitreous enamelled control panel
- Stainless steel front, sides and splashback

##### Oven

- Vitreous enamelled oven liner
- Extra wide GN 2/1 capacity with 4 position racking
- Supplied with one chrome plated oven rack
- Vitreous enamelled oven spill tray
- Stainless steel doors and sides
- 63mm dia. stainless steel adjustable legs to front and two rollers at rear

#### CONTROLS

##### Cooktop

- Large easy use control knobs
- Variable high to low controls to open burners
- Flame failure standard on open burners
- Optional pilot and flame failure on open burners

##### Oven

- 100-310°C thermostatic oven control
- Piezo ignition to oven pilot burner with flame failure

#### CLEANING AND SERVICING

- Easy clean stainless steel exterior
- Vitreous enamelled potstands and burner caps
- Lift off open burner caps and removable burners
- Stainless steel removable spill trays
- Stainless steel grease trays on griddles
- Access to all parts from front of unit

#### Matching Products



CW2H

CSP6

CN4

CT9

CW3H

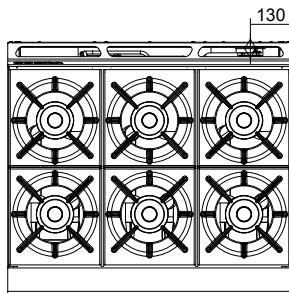
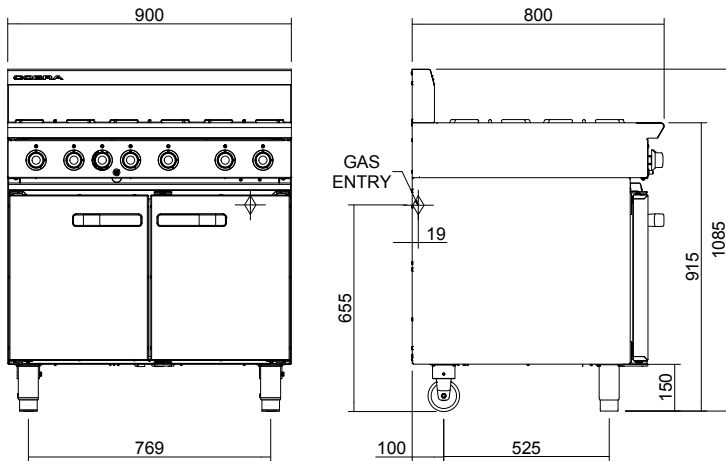
CW1H

CP4

CS9 / C900-S

## CR9D

### 900mm Six Burner Gas Range Static Oven



CR9D

#### SPECIFICATIONS

**Burners**  
Open Burners;  
22MJ/hr, 5.5kW each

**Oven; 28MJ/hr, 7.8kW**

**Gas power (gross)**  
CR9D 160MJ/hr, 44.4kW

**Oven dimensions**  
Width 760mm  
Depth 615mm  
Height 365mm

**Rack size**  
750mm x 590mm  
Rack positions 4

**Gas connection**  
R 3/4 (BSP) male  
130mm from RH side, 20mm from rear, and 655mm from floor

**Dimensions**  
Width 900mm  
Depth 800mm  
Height 915mm  
Incl. splashback 1085mm  
Nett weight  
121.5kg

**Packing data**  
1.21m<sup>3</sup>, 162kg  
Width 1010mm  
Depth 955mm  
Height 1250mm

**Gas types**  
Available in Natural gas and LP gas,  
please specify when ordering  
Other gas types on request



Cert. No. AGA 7225G

[moffat.com.au](http://moffat.com.au)  
[moffat.co.nz](http://moffat.co.nz)

Australia  
[moffat.com.au](http://moffat.com.au)

Moffat Pty Limited

Victoria/Tasmania  
740 Springvale Road  
Mulgrave, Victoria 3170  
Telephone +613-9518 3888  
Facsimile +613-9518 3833  
[vsales@moffat.com.au](mailto:vsales@moffat.com.au)

New South Wales  
Telephone +612-8833 4111  
[nswsales@moffat.com.au](mailto:nswsales@moffat.com.au)

South Australia  
Telephone +613-9518 3888  
[vsales@moffat.com.au](mailto:vsales@moffat.com.au)

Queensland  
Telephone +617-3630 8600  
[qldsales@moffat.com.au](mailto:qldsales@moffat.com.au)

Western Australia  
Telephone +618-9413 2400  
[wasales@moffat.com.au](mailto:wasales@moffat.com.au)

New Zealand  
[moffat.co.nz](http://moffat.co.nz)

Moffat Limited

Rolleston  
45 Illinois Drive  
Izone Business Hub  
Rolleston 7675  
Telephone +64 3-983 6600  
Facsimile +64 3-983 6660  
[sales@moffat.co.nz](mailto:sales@moffat.co.nz)

Auckland  
Telephone +64 9-574 3150  
[sales@moffat.co.nz](mailto:sales@moffat.co.nz)



ISO9001  
Quality  
Management  
Standard

Designed and manufactured by



ISO9001  
All Cobra products are designed and  
manufactured by Moffat using the  
internationally recognised ISO9001  
quality management system,  
covering design, manufacture and  
final inspection, ensuring consistent  
high quality at all times.

In line with policy to continually  
develop and improve its products,  
Moffat Limited reserves the right  
to change specifications and design  
without notice.

© Copyright Moffat Ltd  
AN.C.01.19 / 1598

an Ali Group Company



The Spirit of Excellence