

Technical data sheet for

## E23D3 DOUBLE STACKED

Half Size Digital / Electric Convection Ovens  
Double Stacked on a Stainless Steel Base Stand



Model E23D3/2C shown



### E23D3/2 E23D3/2C

E23D3 ovens shall be Moffat electrically heated Turbofan convection ovens. The ovens shall have a one piece vitreous enamel oven chamber, stainless top and sides and safe touch vented easy clean drop down door. Ovens shall have capacity for three half size sheet pans. The ovens shall have 2.8kW heating elements. The ovens shall have a bi-directional single reversing fan system and feature a single halogen oven lamp. The oven shall be controlled by an electronic control having separate digital displays and adjusting knobs for time and temperature functions. The oven control shall allow both manual and programmed operating modes with programmable steam injection and 3 stage cooking. Ovens shall be fitted with a 15A plug-in cordset. Ovens shall be double stacked using Double Stacking Kits DSK2223 (adjustable feet option) or DSK2223C (castor option). Units shall be supplied in 100% recyclable shipping packaging.

Double stack models are supplied as two individual ovens and a double stacking kit for field assembly.

E23D3/2 - Double stack with adjustable feet base stand

E23D3/2C - Double stack with castor base stand

### DOUBLE STACK FEATURES

- Two half size ovens
- Compact 610mm width
- Full stainless steel base stand
- Full stainless steel oven spacer frame
- Adjustable feet or castor models
- Guard rail for bottom oven

### OVEN FEATURES (each)

- 3 460mm x 330mm / 18" x 13" half size sheet pan capacity
- 3 GN 2/3 pan capacity
- 85mm tray spacing
- Digital display Time and Temperature controls
- Large easy view ¾" / 20mm high displays
- Electronic thermostat control
- Electronic timer
- Manual mode and Program mode
- 20 programs with 3 stage cooking and stage end alarms
- Steam injection mode and manual injection
- Bi-directional reversing fan system
- 2.8kW heating
- 15A plug-in cordset fitted
- Vitreous enamel oven chamber
- Plug-in continuous oven door seal
- Safe-Touch vented drop down door
- Stay-Cool door handle
- Heavy-duty door hinges
- Easy clean door glass system
- Halogen oven lamp
- Dia. 180mm full stainless steel oven fan
- 3 oven wire racks supplied

### E23D3/2 E23D3/2C Half Size Digital / Electric Convection Ovens Double Stacked on a Stainless Steel Base Stand

#### CONSTRUCTION - OVENS

Vitreous enameled fully welded oven chamber  
Stainless steel front, sides and top exterior  
Stainless steel oven fan baffle and oven vent  
Removable 3 position chrome plated wire side racks  
Oven racks chrome plated wire (3 supplied)  
Stainless steel frame drop down hinged door  
5mm thick door outer glass  
5mm thick low energy loss door inner glass  
Heavy-duty counterbalanced door hinges  
Wear resistant powder coated welded door handle  
Stainless steel control panel  
Aluminised coated steel base and rear panels

#### CONSTRUCTION - DOUBLE STACKING KIT

All stainless steel construction  
Welded 32mm and 38mm square tube front and rear frame  
base stand  
4 adjustable feet on E23D3/2  
4 dia. 76mm swivel castors with 2 front castors dual wheel  
and swivel lock on E23D3/2C Stainless steel oven spacer  
frame  
Stainless steel bottom oven vent extension

#### CONTROLS (each oven)

Electronic controls with Digital Time and Temperature display,  
Manual or Program modes  
Large 20mm high LED displays  
Two individual time and temperature setting control knobs  
ON/OFF and Oven Lights key  
Timer Start/Stop key  
Steam injection key  
Programs select key  
Actual temperature display key  
Adjustable buzzer/alarm volume  
Thermostat range 50-260°C  
Timer range from 180 minutes in countdown mode  
Timer range up to 999 minutes in time count mode for  
holding, slow cooking  
Over-temperature safety cut-out

#### CLEANING

Stainless steel top and sides continuous exterior panel  
Vitreous enameled oven chamber  
Fully removable chrome plated oven side racks  
Removable stainless steel oven fan baffle  
Full stainless steel oven fan  
Easy clean door system with hinge out door inner glass  
(no tools required)  
Removable plug-in oven door seal (no tools required)

#### SPECIFICATIONS

Electrical Requirements (each oven)  
230-240V, 50Hz, 1P+N+E, 3.0kW, 12A  
15A cordset fitted

Water Requirements (optional)  
Cold water connection 3/4" BSP male  
80psi maximum inlet pressure / 20psi minimum inlet pressure

#### External Dimensions

Width 610mm  
Height 1571mm (E23D3/2)  
1653mm (E23D3/2C)

Depth 643mm

#### Oven Internal Dimensions (each oven)

Width 495mm

Height 305mm

Depth 340mm

Volume 0.51m<sup>3</sup>

#### Oven Rack Dimensions

Width 460mm

Depth 330mm

Nett Weight (double stack complete)

99kg

#### Packing Data (E23D3 ovens each)

54.6kg

0.34m<sup>3</sup>

Width 750mm

Height 705mm

Depth 635mm

#### Packing Data (Stacking Kit)

15kg (DSK2223 - adjustable feet)

18kg (DSK2223C - castor)

0.08m<sup>3</sup>

Width 590mm

Height 840mm

Depth 160mm

Supplied CKD for assembly on site

#### INSTALLATION CLEARANCES

Rear 25mm

LH Side 25mm

RH Side 25mm

#### CLEARANCE FROM SOURCES OF HEAT

A minimum distance of 300mm from the appliance sides is  
required

#### Double Stacking Kits

For after market double stacking two E23D3 convection ovens  
DSK2223 - Double stacking kit - adjustable feet  
DSK2223C - Double stacking kit - castor



Australia  
www.moffat.com.au  
New Zealand  
www.moffat.co.nz  
www.turbofanoven.com

Australia  
Moffat Pty Limited

Victoria/Tasmania  
740 Springvale Road  
Mulgrave, Victoria 3170  
Telephone 03-9518 3888  
Facsimile 03-9518 3833  
vsales@moffat.com.au

New South Wales  
Telephone 02-8833 4111  
nswsales@moffat.com.au

South Australia  
Telephone 03-9518 3888  
vsales@moffat.com.au

Queensland  
Telephone 07-3630 8600  
qldsales@moffat.com.au

Western Australia  
Telephone 08-9202 6820  
bgarcia@moffat.com.au

New Zealand  
Moffat Limited

Christchurch  
45 Illinois Drive  
Izone Business Hub  
Rolleston 7675  
Telephone +64 3-983 6600  
Facsimile +64 3-983 6660  
sales@moffat.co.nz

Auckland  
Telephone 09-574 3150  
sales@moffat.co.nz



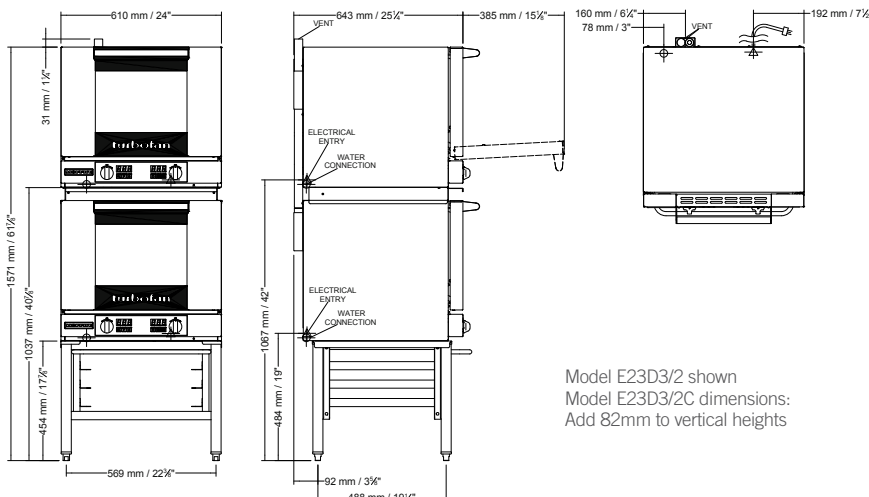
Designed and manufactured by



ISO9001

All Turbofan products are designed and  
manufactured by Moffat using the  
internationally recognised ISO9001  
quality management system, covering  
design, manufacture and final inspection,  
ensuring consistent high quality at all times.

In line with policy to continually develop  
and improve its products, Moffat Limited  
reserves the right to change specifications  
and design without notice.



© Copyright Moffat Ltd  
AN.TFN.S.1501