

Technical data sheet for

ELECTRIC SALAMANDER

SN8200E



- Powerful 6kW infra-red elements
- Left and right heat control
- Branding plate option
- Wall mounting bracket
- Easy to clean
- Easy service

Overall Construction

- Monocoque construction
- External panels of 0.9mm 304 grade stainless steel
- Stainless steel tray under grilling area with grease trough
- Two 3kW infra-red elements

Racking

- Four position racking (flat or inclined)
- Adjustable chrome wire rack with heat resistant handles

Controls

- Large easy use controls
- Heat resistant reinforced control knobs
- Indicator light for each element on
- Recessed front panels for hand and control protection
- Each side controlled by a 3 heat switch

Cleaning and Servicing

- Access to all parts from front of unit
- Stainless steel and vitreous porcelain enamel surfaces used throughout

Technical data sheet for **ELECTRIC SALAMANDER**



Specifications

Elements

2 x 3kW

Electrical requirements

230-240V, 1P+N+E, 50/60Hz, 6kW, 25A

DIMENSIONS

Width 900mm

Depth 424mm

(455mm with wall mounting bracket)

Height 456mm

COOKING AREA

Rack size 610mm x 310mm, 1890cm²

Branding Plate 610mm x 310mm, 1890cm²

NETT WEIGHT

36kg

PACKING DATA

0.31m³, 63kg

Width 945mm

Depth 520mm

Height 635mm

ELECTRICAL CONNECTION

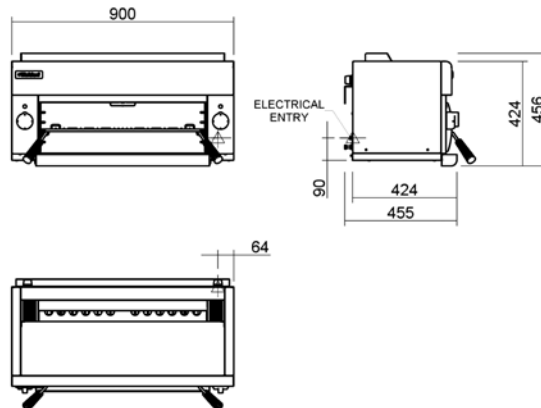
230-240V 1 phase hard wired via terminal block at back of unit 64mm from right side and 90mm from bottom of unit

OPTIONS AT EXTRA COST

100mm high feet for bench mounting

Branding kit - includes one double-sided, ribbed cast aluminium branding plate

SN8200E



Australia
www.moffat.com.au
New Zealand
www.moffat.co.nz

Australia
Moffat Pty Limited

Victoria/Tasmania
740 Springvale Road
Mulgrave, Victoria 3170
Telephone 03-9518 3888
Facsimile 03-9518 3833
vsales@moffat.com.au

New South Wales
Telephone 02-8833 4111
nswsales@moffat.com.au

South Australia
Telephone 03-9518 3888
vsales@moffat.com.au

Queensland
Telephone 07-3630 8600
qldsales@moffat.com.au

Western Australia
Telephone 08-9202 6820
bgarcia@moffat.com.au

New Zealand
Moffat Limited

Christchurch
Telephone 03-389 1007
sales@moffat.co.nz

Auckland
Telephone 09-574 3150
sales@moffat.co.nz



Designed and manufactured by



ISO9001
All Waldorf products are designed and manufactured by Moffat using the internationally recognised ISO9001 quality management system, covering design, manufacture and final inspection, ensuring consistent high quality at all times.

In line with policy to continually develop and improve its products, Moffat Limited reserves the right to change specifications and design without notice.

Printed in New Zealand
© Copyright Moffat Limited
Moffat/BH/6864

