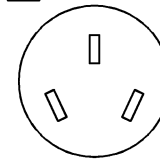
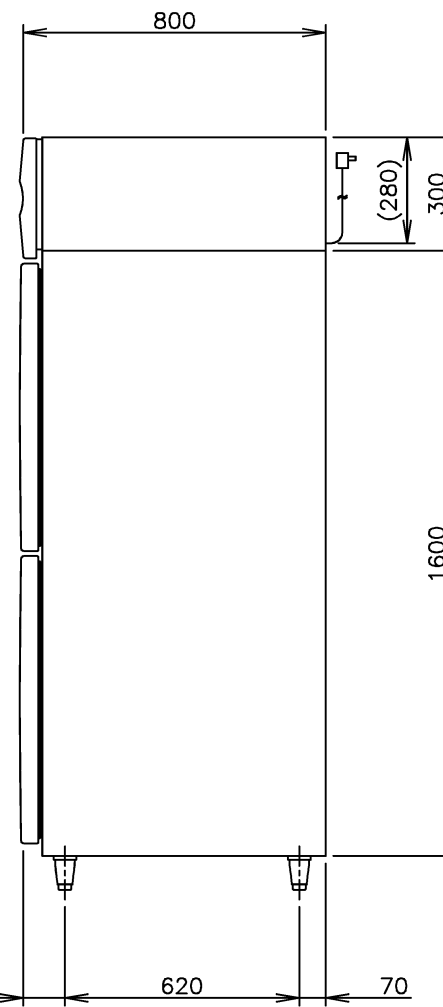
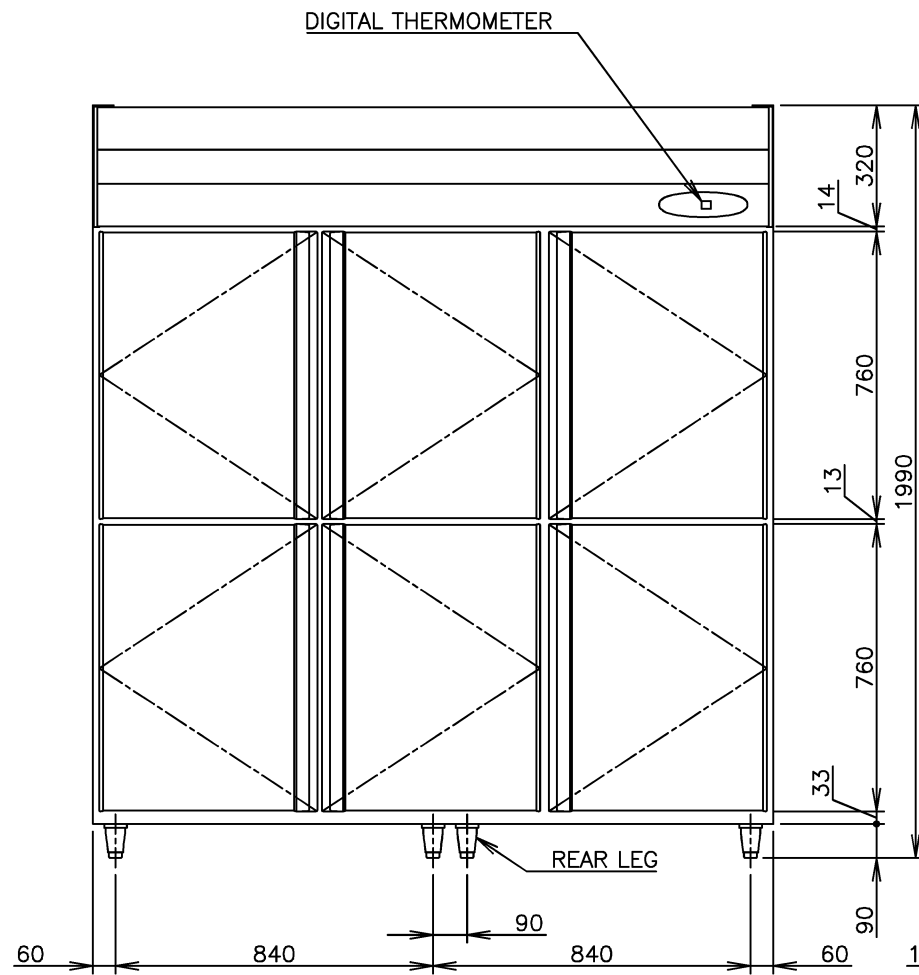
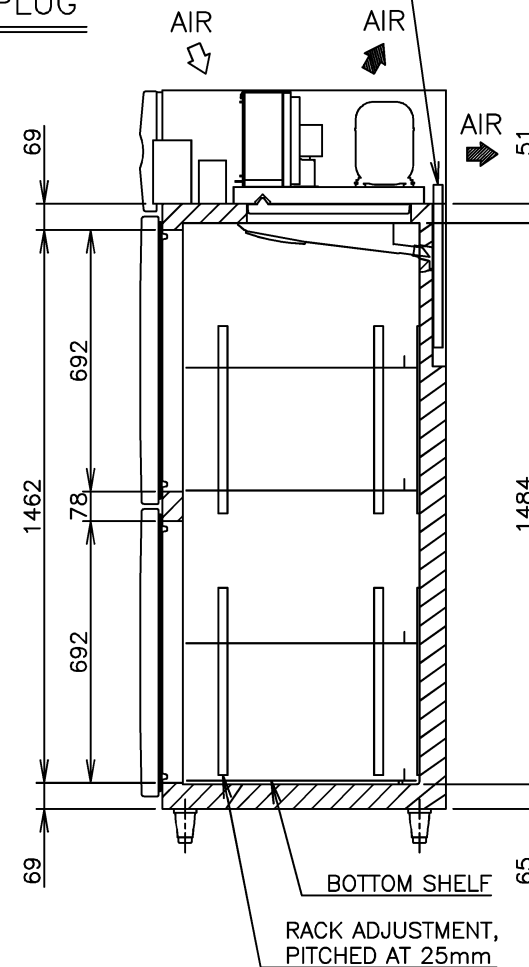


|                                |   |
|--------------------------------|---|
| ITEM                           | Hoshizaki Reach-in Freezer  |
| MODEL                          | HFE-187MA-CHD   |
| POWER SUPPLY                   | 1 Phase 220 - 240V 50Hz Capacity: 1.41kVA (6.40A)                                     |
| AMPERAGE                       | Rated: 4.46A Starting: 23.4A  |
| ELECTRIC CONSUMPTION           | 788W (Power Factor: 76%)(Except Drain Tank Heater 170W)<br>Heater: 677W Defrost: 677W |
| HEAT REJECTION                 | 1210W   |
| POWER CORD                     | 2.3m (Plug with Earth Wire)   |
| EFFECTIVE CAPACITY             | 1600L   |
| OUTSIDE DIMENSIONS             | 1800mm(W) x 800mm(D) x 1990(-2020)mm(H)   |
| INSIDE DIMENSIONS              | 1696mm(W) x 626mm(D) x 1484mm(H)  |
| EXTERIOR                       | Precoated Steel, Galvanized Steel(Rear, Bottom)                                       |
| INTERIOR                       | Precoated Steel, ABS Plastic(Door)  |
| INSULATION                     | Polyurethane Foam   |
| INSULATION FOAM BLOWING AGENT  | Cyclopentane  |
| REFRIGERATION SYSTEM           | Forced Air Circulation  |
| DEFROST SYSTEM                 | Heater  |
| COMPRESSOR                     | Hermetic 1033W (cooling capacity)   |
| CONDENSER                      | Fin and Tube type, Air-cooled   |
| EVAPORATOR                     | Fin and Tube type   |
| REFRIGERANT                    | R404A   |
| TEMPERATURE CONTROL            | Microprocessor (Digital Temp. Indication) Adjustable from -23 to -7°C                 |
| DEFROST CONTROL                | Microprocessor  |
| ELECTRIC CIRCUIT PROTECTION    | Earth Wire, Circuit Breaker   |
| REFRIGERANT CIRCUIT PROTECTION | Motor Protector (Auto-reset)  |
| LEG                            | Plastic Adjustable from 90 to 120mm   |
| SHELF                          | 12 pcs.(Include Bottom Shelf)   |
| WEIGHT                         | 196kg (Gross 238kg)   |
| PACKAGE                        | Carton (Wooden Pallet) 1860mm(W) x 900mm(D) x 2075mm(H)                               |
| OPERATING CONDITIONS           | Ambient Temperature: 5 - 43°C<br>Voltage Range: Rated Voltage ±6%                     |



DRAIN EVAPORATING TANK



\*We reserve the right to make changes in specifications and design without prior notice.

1. Install the product properly in accordance with the instructions on location, water supply/drain connections and electrical connections stated in the instruction and installation manuals provided.  
Allow 10mm extra space at the installation site to meet any installation requirements (additional spacing is also required for proper air flow and pipe connections).
2. The heat rejection is based on the reached pulldown temperature at ambient temperature of 35°C.
3. The drain tank may overflow if the door is opened frequently or under highly humid conditions in the rainy or summer season.
4. Product Code: R269-C271

\*CUSTOMIZED  
DRAIN TANK

# HOSHIZAKI REACH-IN FREEZER HFE-187MA-CHD (CUSTOMIZED)

|                      |                     |                    |                    |                       |              |
|----------------------|---------------------|--------------------|--------------------|-----------------------|--------------|
| APPROVED<br>ISHIGURO | CHECKED<br>TAKAOKA  | DESIGNED<br>KATO   | DRAWN<br>WATANABE  | SCALE<br>1/20         | TRIGONOMETRY |
| ISHIKAWA<br>APPROVED | HAYASHI<br>DESIGNED | 2017.07.14<br>DATE | 2012.04.25<br>DATE | D11305<br>DRAWING NO. | 2<br>SYMBOL  |