

MSF8301/MSF8302
MSF8303/MSF8304

SANDWICH PREP TABLE REFRIGERATORS



Single Door Sandwich Prep Table Refrigerator

MSF8301

Stainless steel GN pans included



Double Door Sandwich Prep Table Refrigerator

MSF8302/MSF8303

Stainless steel GN pans included

FEATURES

- *Stainless steel interior and exterior with galvanised back panel*
- *Stainless steel food pans included*
- *Heavy duty Embraco compressor*
- *Self-closing and stay open doors*
- *Efficient refrigeration system*
- *Round corner design*
- *Recessed door handle*
- *Magnetic door gaskets*
- *Pre-installed castors*
- *Pre-installed mid-shelves*
- *Allow 100 mm clearance for air ventilation*

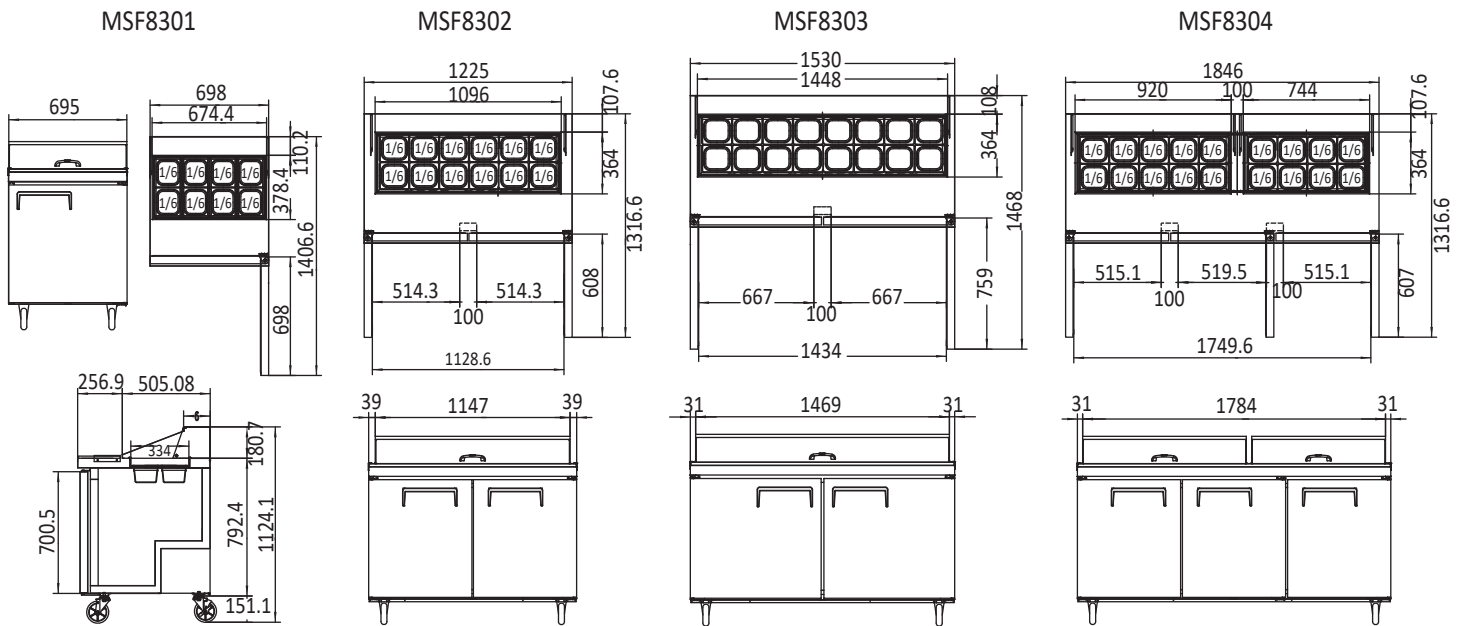
Three Door Sandwich Prep Table Refrigerator

MSF8304



Stainless steel GN pans included

SANDWICH PREP TABLE REFRIGERATORS



| INFORMATION | MSF8301 | MSF8302 | MSF8303 | MSF8304 |
|--------------------------|---------------------------|----------------------------|----------------------------|----------------------------|
| Capacity | 203L | 379L | 487L | 598L |
| Power | 270W | 370W | 370W | 430W |
| Voltage | 220~240V/50Hz | 220~240V/50Hz | 220~240V/50Hz | 220~240V/50Hz |
| Working Temp | +1°C~+8°C | +1°C~+8°C | +1°C~+8°C | +1°C~+8°C |
| Ambient Temp | 43°C | 43°C | 43°C | 43°C |
| Dimensions(mm) | W698 x D762 x H1124,90kg | W1225 x D762 x H1124,110kg | W1530 x D762 x H1124,150kg | W1846 x D762 x H1124,170kg |
| Packaging Dimensions(mm) | W770 x D831 x H1186,107kg | W1300 x D831 x H1186,130kg | W1584 x D831 x H1186,160kg | W1916 x D831 x H1186,198kg |
| RRP | \$2,379.00 | \$3,015.00 | \$3,745.00 | \$4,475.00 |



2 YEARS WARRANTY ON ALL PARTS & LABOUR

* EXTRA 2 YEARS WARRANTY ON PARTS WHEN YOU REGISTER WITH US ONLINE

* All prices are EX-GST