

Salamander

W.GTSQI.15

Woodson's Salamander utilises top heat only and is perfect for grilling, browning and gratinating.

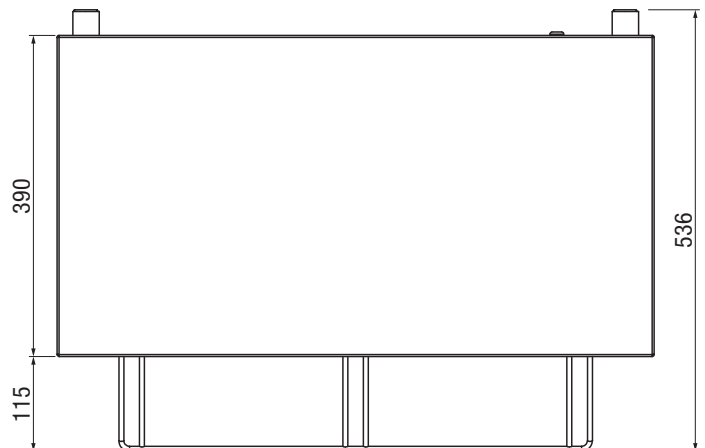


Product Information:

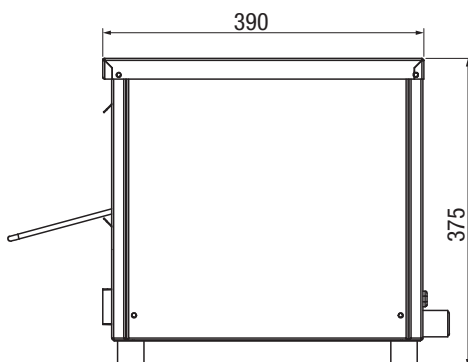
- Energy efficient 'instant' heat glass infrared top elements
- 2 operation modes - timer or simple "in is on" mode (All power to top elements only with simmerstat control)
- Multiple position slides and rack for safer loading
- Easy to clean removable crumb tray
- Stainless steel construction

Specifications:

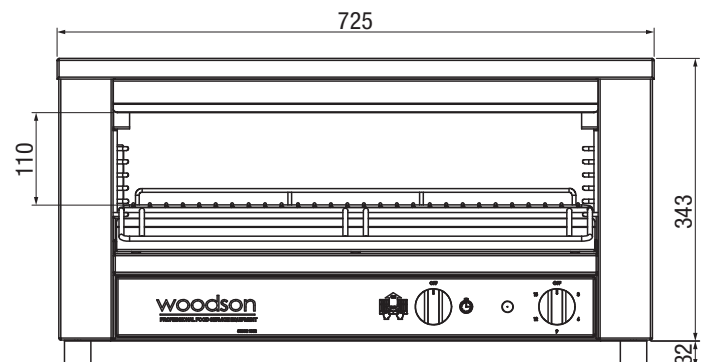
Model	W.GTSQI.15
Height	375mm
Width	725mm
Depth	536mm
Weight	22kg
Power	3.5kW 15A plug & lead fitted



Top View



Side View



Front View

Due to continuous product research and development, the information contained herein is subject to change without notice.

Revision: 31/05/2019

www.stoddart.com.au

www.stoddart.co.nz