

## Auto Lift Countertop Fryer

### W.FAS80



Counter top fryers are the ideal product for short orders of all deep fried foods, including chips and fish.

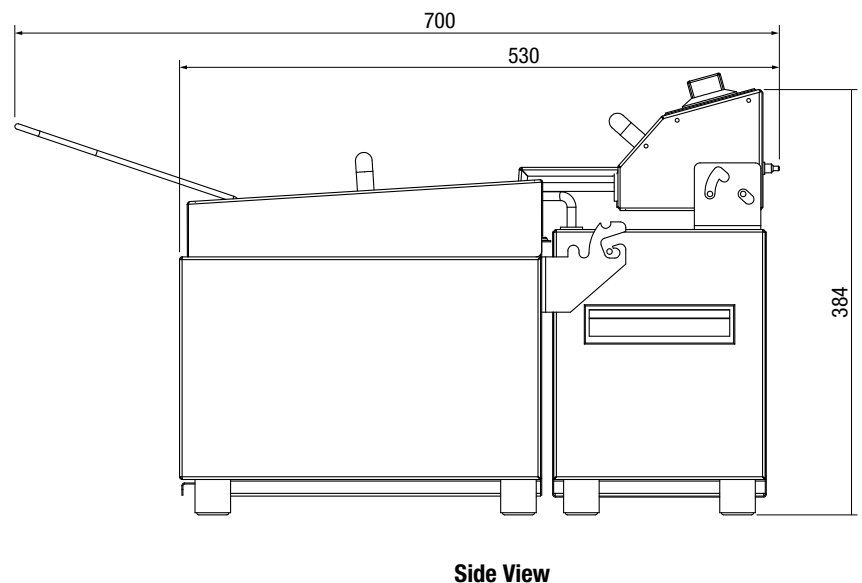
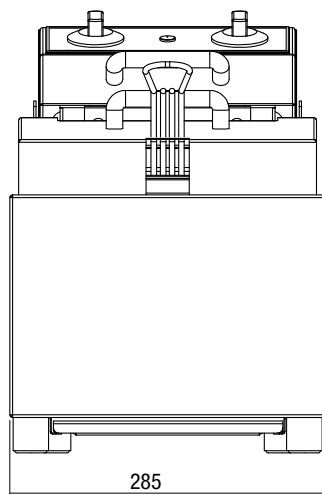
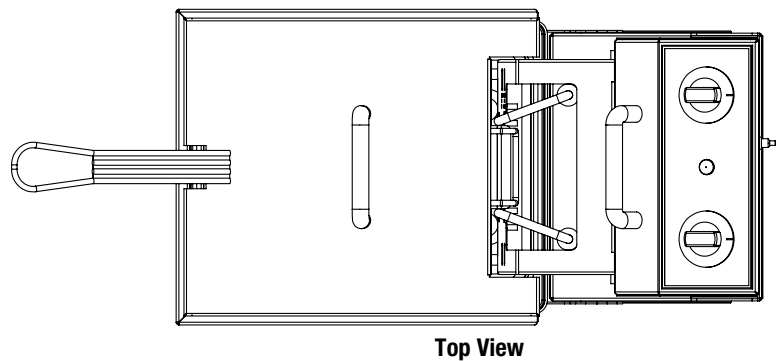
The Woodson range of fryers include the latest features for better cooking, easy cleaning and maximum safety.

#### Product Information:

- Auto-Lift Fryer 8L fryer
- Mechanical thermostat temperature control
- Designed for 180°C frying
- Suitable for use with liquid oil only
- Over temperature safety cut-out as standard
- Stainless steel element cover
- Basket holder at rear for draining
- Easily removable oil tank (1/2 GN)
- Snug fitting stainless steel tank cover
- Drip tray supplied complete with basket(s)
- Element guards and fish plate provided
- Power on and indicator light

#### Specifications:

<b>Model</b>	<b>W.FAS80</b>
<b>Height</b>	384mm
<b>Width</b>	285mm
<b>Depth</b>	700mm
<b>Weight</b>	15
<b>Power</b>	2.9kW
	15A plug & lead fitted
<b>Capacity</b>	8 Litre



Due to continuous product research and development, the information contained herein is subject to change without notice.  
Revision: 27/05/2019

[www.stoddart.com.au](http://www.stoddart.com.au)  
[www.stoddart.co.nz](http://www.stoddart.co.nz)