

Drink Machine Advance[®]

Model: VM10199-Red

The Ultimate Blender For Every Program

From fruit smoothies to thick shakes, the Drink Machine Advance[®] is an essential tool for adding or expanding a blended beverage program.

With 6 optimized programs, automatic shut-off and pulse control, it delivers consistent and delicious drinks every time, without the need for an experienced operator.

Features

- 6 optimised programs and automatic shut-off means you can turn it on, walk away and consistently blend beverages
- Pulse control quickly refreshes drinks for efficiency
- 1.4 litre Advance[®] Container creates faster, smoother pouring and has a longer blade life resulting in time and cost savings along with improved customer experience
- ~2.3 HP (peak output)* advanced motor is designed to resist overheating when blending extra-thick ingredients resulting in cooler operation and enhanced reliability during peak hours of operation



VM10199 - Red pictured



Perfectly blended smoothies.



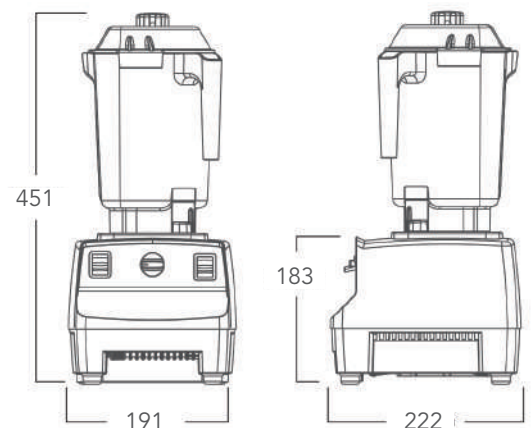
Unique shape and design for faster, smoother pouring.

Specifications

Motor: ~2.3 HP (peak output)* motor

Electrical: Standard single phase 10 Amp plug, 230 V, 50/60 Hz, 1000 – 1200 Watts (load dependent)

Includes: 1.4 litre high-impact, clear/stackable, Advance[®] container, complete with Advance[®] blade assembly and lid and base



*Load dependent. Varies with voltage. All dimensions are nominal only. Covered by 3 years warranty (1 year parts and labour followed by 2 years parts only). Conditions apply. Refer to our Terms & Conditions of Trade.